



# PARTS CATALOG

# **Robin**

# **Pump**

Model

# ***PTX201ST***

Spec. No. PTX201S0000  
(EX130D10110)  
PTX201S0010  
(EX130D10120)

**FUJI HEAVY INDUSTRIES LTD.**  
**INDUSTRIAL PRODUCTS COMPANY**

ISSUE EMD-PP6204	
ISSUE DATE	2005.6

# HOW TO USE THIS PARTS CATALOG

REF.	PART NUMBER	PART NAME	QTY	REMARKS	CODE NO. FROM-TO	INTERCHANGEABLE PART NUMBER	UNIT PRICE	FIG.
	① 6 FUEL LUBRICANT							
10	281-60101-01	FUEL TANK CP	1	2.8L NEW R YELLOW	-			600
20	073-20044-50	LABEL (CAUTION)	1	38X70	-			600
30	043-04300-15	FUEL TANK CAP CP	1	43DX68DX14H	5296-			600
	043-04301-00	FUEL TANK CAP CP	1		-5295			600
40	064-13600-10	FUEL FILTER	1	36DX46DX43H	-			600
50	064-20064-00	FUEL STRAINER AY	1		-			630
- 1	064-20064-20	FILTER	1		-			630
- 2	064-20064-10	PACKING	1		-			630
- 3	064-20042-10	CUP, STRAINER	1		-			630

- ① **SECTION NAME** ..... Parts are broadly classified according to their functions.  
Refer to section indexes(contents)for respective section name.
- ② **FIG.No**..... It indicates illustration number. FIG.No. with the same figure in the third of hundreds shows that it is in a group of the same section. FIG.No. illustrating the target part can be read in the right-end section of the list.
- ③④ **REF.No.** ..... It is a number to compare the part illustrated with the part number in the list. Serch for REF.No. in the list in the corresponding REF.No. in the illustration to determine the part number.  
Section ④ shows a 'SUB-ASSEMBLY PART' of section ③ which is indicated by the number led by '-' such as '-1','-2'.
- ⑤ **PART NUMBER** ..... It is the number assigned for sales unit.  
Use the PART No. when marking an order.
- ⑥ **PART NAME**..... It is designation of the part.
- ⑦ **Q'ty** ..... Quantity of part being employed for each product.
- ⑧ **REMARKS** ..... This gives a distinctive feature and/or a supplementary comment for the type,the specification, and the part concerned.
- ⑨ **INTERCHANGEABLE**... It shows part number(s) interchangeable for the part given in the section **PART NUMBER** ⑤.
- ⑩ **CODE No.** ..... It indicates history of progress in which improved parts have been introduced in the product.The CODE No. helps to identify PART No. being employed in the product concerned.

-	The part has been employed in the product irrespective of CODE No.
5296-	The part is employed in the products with CODE No. of 5296 and after this number.
-5295	The part is employed in the products with CODE No. of 5295 and before this number.

## Table of abbreviations/略語一覧

ABBREVIATIONS/略語	DESCRIPTION	説明
A	AMPERE	アンペア
AC	AIR CLEANER	エアクリーナ
AY	ASSEMBLY	アッセンブリ
B	BREADTH	幅
BB	BALL BEARING	ボールベアリング
CD	CENTER DISTANCE	中心間距離
CP	COMPLETE	コンプリート
CY	CYLINDER	シリンダ
D	DIAMETER	内径、外径、中心径
EX	EXPORT	輸出
EX	EXHAUST	排気
FIG	FIGURE	フィギュア (図解)
FR	FRONT	前側
H	HEIGHT	高さ
HZ	HERTZ	ヘルツ
IN	INCH	インチ
IN	INTAKE	吸入
L	LITER	リットル
L	LENGTH	長さ
LH	LEFT HAND	左側
MG	MAGNETIC	マグネチック
N	NUMBER	数、巻数
N R Y	NEW ROBIN YELLOW	新ロビン色
OS	OIL SENSOR	オイルセンサ
O. S.	OVER SIZE	オーバーサイズ
P	PITCH	ピッチ
PD	PITCH DIAMETER	中心径
PTO	POWER TAKE OFF	動力取出し
REF	REFERENCE	レファレンス (照合)
RH	RIGHT HAND	右側
RR	REAR	後側
ST	STARTER MOTOR	スターターモータ
STD	STANDARD	標準
SW	SPRING WASHER	スプリングワッシャ
SW	SWITCH	スイッチ
T	THICKNESS	厚さ
TH	THROTTLE	スロットル
UN	UNIT	ユニット
U. S.	UNDER SIZE	アンダーサイズ
V	VOLTAGE	ボルト
W	WASHER	ワッシャ
W	WATT	ワット
W	WIDTH	幅
W/	WITH	付き
W/O	WITHOUT	無し

# CONTENTS

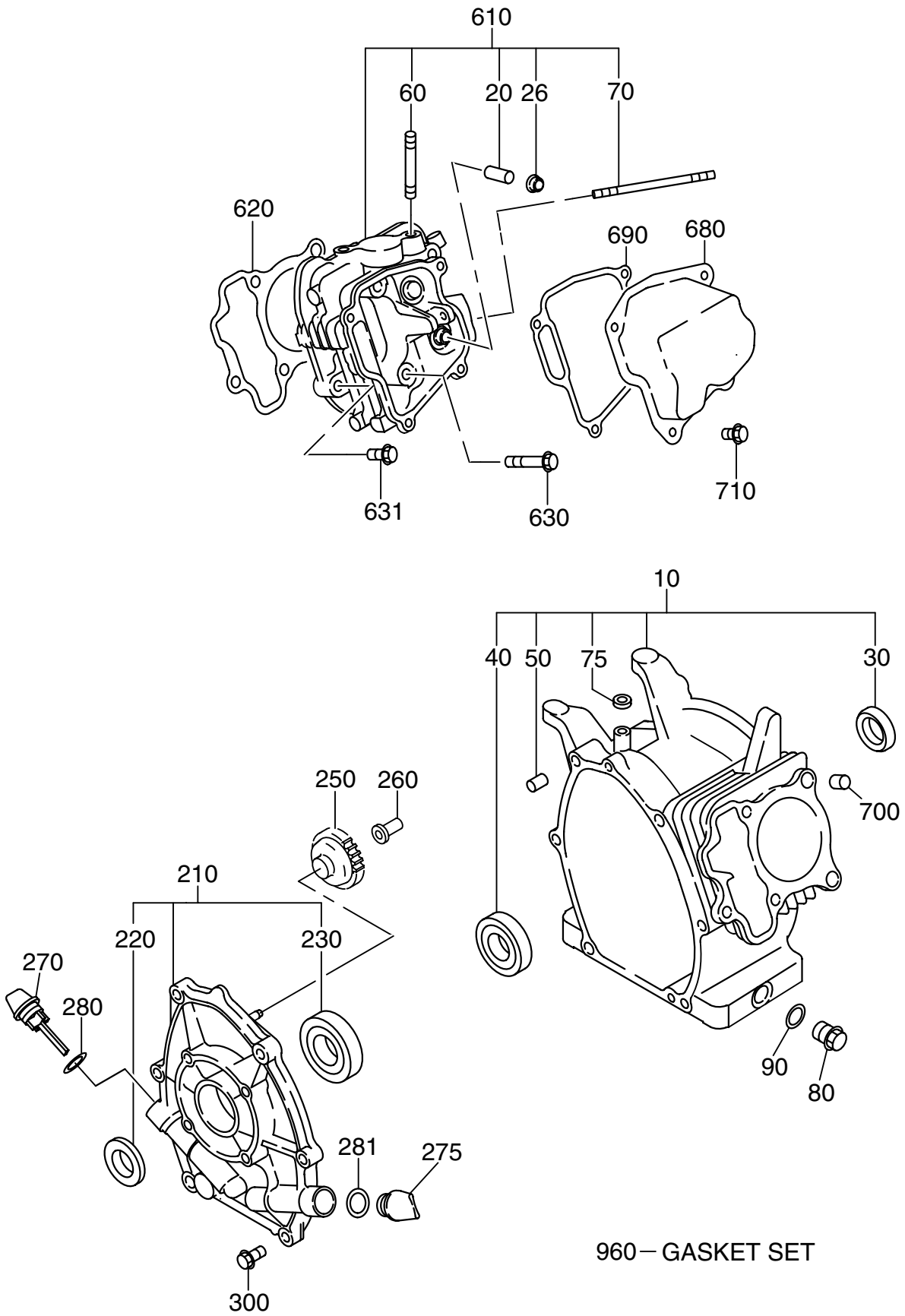
## ENGINE PARTS

	FIG.
1 CRANKCASE	100
2 CRANKSHAFT, PISTON	200
3 INTAKE, EXHAUST	300,315
4 GOVERNOR, OPERATION	400
5 COOLING, STARTING	500,520
6 FUEL LUBRICANT	600,640
7 ELECTRIC DEVICE	700,770
8 ACCESSORIES	900

## PUMP PARTS

42 PUMP	4200
---------	------

FIG. 100

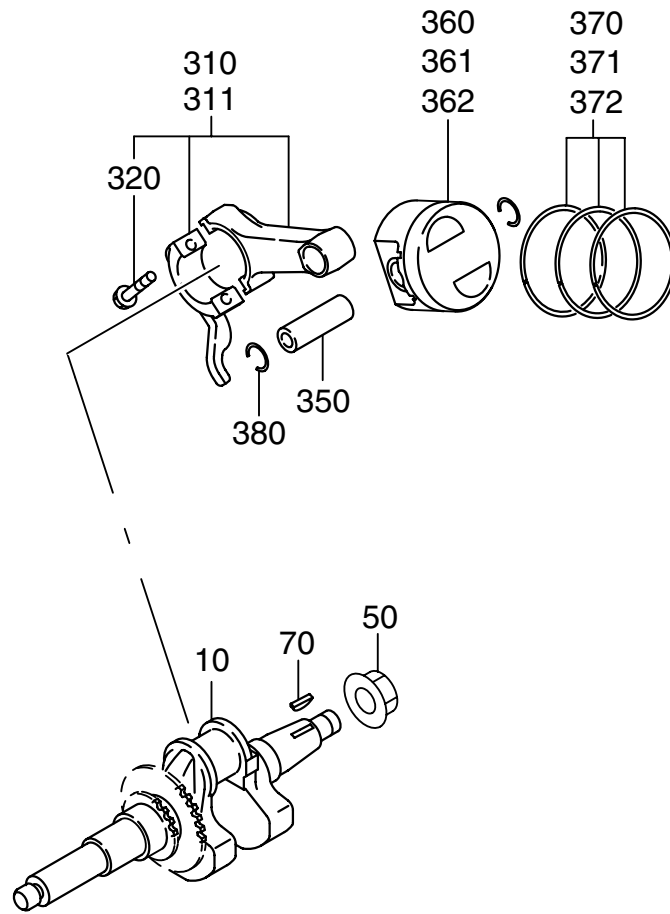


960 - GASKET SET

1 CRANK CASE

REF. NO.	PART NUMBER		PART NAME		CODE NO. FROM - TO	QTY	REMARKS	INTERCHANGEABLE PART NUMBER	FIG. NO.
		PART NUMBER		SPEC. NO.					
10	276-10101-41		CRANK CASE CP		-	1			100
	276-10102-41		EX130D10120		-	1	W/OIL SENSOR		100
20	237-14202-03		VALVE GUIDE		-	2	5. 5DX9. 5DX27L		100
26	277-16010-01		STEM SEAL		-	1	5. 5DX9. 5DX15DX7. 8B		100
30	044-02502-00		OIL SEAL		-	1	25DX38DX7B		100
40	060-02800-21		BALL BEARING		-	1	28DX58DX16B		100
50	277-15011-03		PIPE KNOCK		-	2	10. 3DX8. 5DX14L		100
60	010-50802-50		STUD		-	2	M8X1. 25X25L		100
70	010-50603-51		STUD		-	2	M6X1. 0X98L		100
75	044-00600-20		OIL SEAL		-	1	6DX10DX2. 5B		100
80	040-11400-30		PLUG		-	2	M14X1. 5X20DX12L		100
90	021-11400-20		GASKET		-	2	14. 1DX19DX2. 3T		100
210	277-11001-31		MAIN BEARING COVER C		-	1	FLANGE 4-M8X1. 25		100
220	044-02502-10		OIL SEAL		-	1	25DX41. 25DX6B		100
230	060-02501-40		BALL BEARING		-	1	25DX52DX15B		100
250	277-45004-H1		GOVERNOR GEAR CP		-	1	53DX29. 1T N=33		100
260	277-41901-03		GOVERNOR SLEEVE		-	1	6DX7. 6DX16DX26L		100
270	277-63601-13		OIL GAUGE		-	2	M18X1. 5 L=70+18		100
275	277-65001-03		FILLER PLUG		-6209	1			100
280	021-31600-20		GASKET		-	2	16DX23DX1. 2T RUBBER		100
281	021-31600-20		GASKET		-6209	1	16DX23DX1. 2T RUBBER		100
300	001-04083-50		FLANGE BOLT		-	6			100
610	276-13001-11		CYLINDER HEAD CP		-	1			100
620	276-15001-33		GASKET (HEAD)		6270-	1	T=0. 2		100
	276-15001-23		GASKET (HEAD)		-6269	1	T=0. 2	276-15001-33	100
630	011-00802-40		FLANGE BOLT		-	4	M8X1. 25X16DX68L		100
631	011-00803-10		FLANGE BOLT		6179-	1	M8X1. 25X16DX33L		100
	001-04083-50		FLANGE BOLT		-6178	1			100
680	277-15503-01		ROCKER COVER CP		6666-	1			100
	277-15501-01		ROCKER COVER CP		-6665	1		277-15503-01	100
690	277-16001-13		GASKET (ROCKER COVER)		6210-	1	T=0. 5		100
	277-16001-03		GASKET (ROCKER COVER)		-6209	1	T=0. 7	277-16001-13	100
700	277-15011-03		PIPE KNOCK		-	2	10. 3DX8. 5DX14L		100
710	011-00600-20		FLANGE BOLT		-	4	M6X1. 0X14DX12L		100
960	276-99001-27		GASKET SET		-	1			100

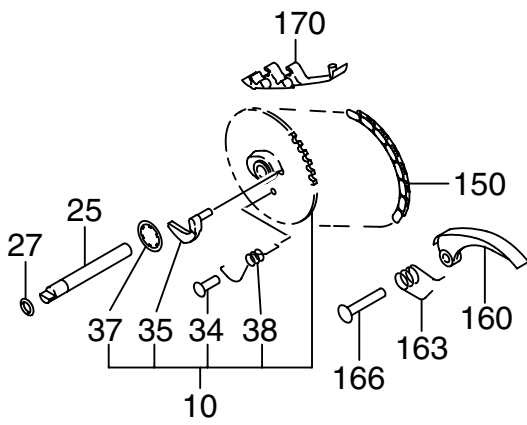
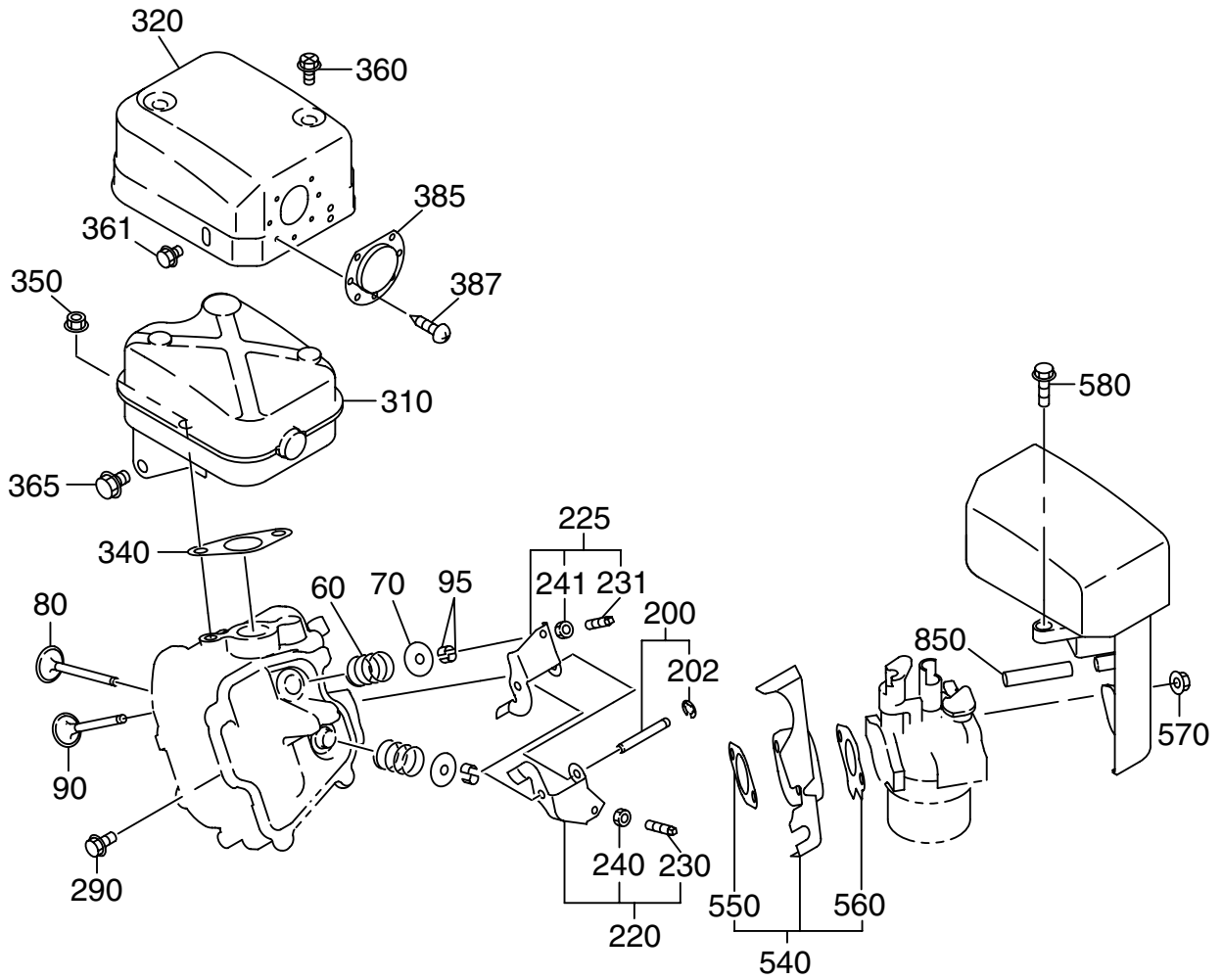
FIG. 200



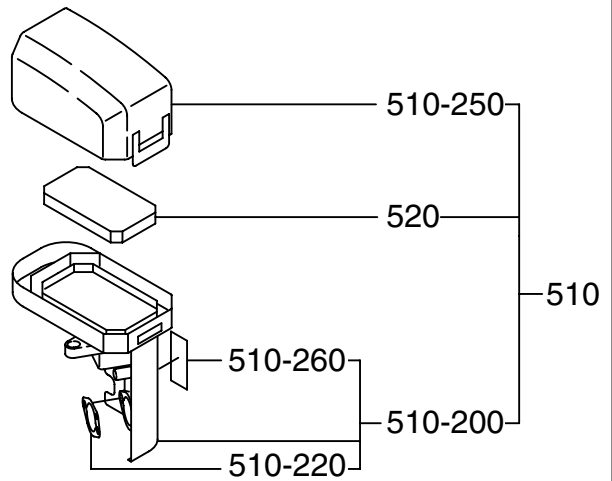




**FIG. 300**



**FIG. 315**



3 INTAKE EXHAUST

REF. NO.	PART NUMBER		PART NAME		CODE NO. FROM - TO	QTY	REMARKS	INTERCHANGEABLE PART NUMBER	FIG. NO.
		PART NUMBER		SPEC. NO.					
10	277-31601-31		CAM SHAFT CP		6545-	1			300
	277-31601-11		CAM SHAFT CP		-6544	1	85DX2.9B N=40	277-31601-21	300
25	277-35101-03		PIN(CAM SHAFT)		-	1	9DX78.5L		300
27	024-00600-10		O RING		-	1	5.8DX9.6D		300
34	277-38601-03		PIN(SPRING)		-	1	4DX8DX9L		300
35	277-36401-03		RELEASE LEVER		-	1			300
37	277-36501-03		CLIP		-	1	13.8DX20.3DX0.4T		300
38	277-38702-03		RETURN SPRING		-	1	5.1DX0.6DX4.4L N=7		300
60	279-33601-03		VALVE SPRING		-	2	19.2DX2.3DX27.4L		300
70	269-33701-03		SPRING RETAINER		-	2			300
80	276-33401-H3		INTAKE VALVE		6484-	1	22DX5.5DX68L		300
	276-33401-33		INTAKE VALVE		-6483	1	22DX5.5DX68L	276-33401-H3	300
90	276-33501-H3		EXHAUST VALVE		6484-	1	18.5DX5.5DX68L		300
	276-33501-33		EXHAUST VALVE		-6483	1	18.5DX5.5DX68L	276-33501-H3	300
95	132-10KA0-31		COLLET-VALVE		-	4			300
150	276-35601-11		TIMING CHAIN CP		-	1	86 LINK		300
160	277-36911-03		TENTIONER		-	1			300
163	277-37101-03		SPRING(TENTIONER)		-	1	10DX1.8DX14L N=4.5		300
166	277-36902-03		PIN(TENTIONER)		-	1	6DX13DX34L		300
170	277-36913-13		CHAIN GUIDE		-	1			300
200	277-35002-01		PIN(ROCKER) CP		-	1	6DX46L		300
202	003-13050-00		CLIP		-	1			300
220	277-36201-00		ROCKER ARM(IN) AY		-	1			300
225	277-36202-00		ROCKER ARM(EX) AY		-	1			300
230	014-90500-20		ADJUST SCREW		-	1	M5X0.5X23L		300
231	014-90500-20		ADJUST SCREW		-	1	M5X0.5X23L		300
240	017-00500-30		NUT		-	1	M5X0.5X4.1H		300
241	017-00500-30		NUT		-	1	M5X0.5X4.1H		300
290	011-00600-20		FLANGE BOLT		-	1	M6X1.0X14DX12L		300
310	276-30101-H1		MUFFLER CP		6484-	1			300
	276-30101-21		MUFFLER CP		-6483	1		276-30101-H1	300
320	276-34201-01		MUFFLER COVER CP		-	1			300
340	277-35201-13		GASKET(MUFFLER)		-	1	T=0.2 26D 9DX58P		300
350	980-20082-80		FLANGE NUT		-	2			300
360	015-20600-90		TAPPING BOLT		-	2	M6X13DX10L		300
361	011-00600-10		FLANGE BOLT		-	1	M6X1.0X14DX8L		300





FIG. 400

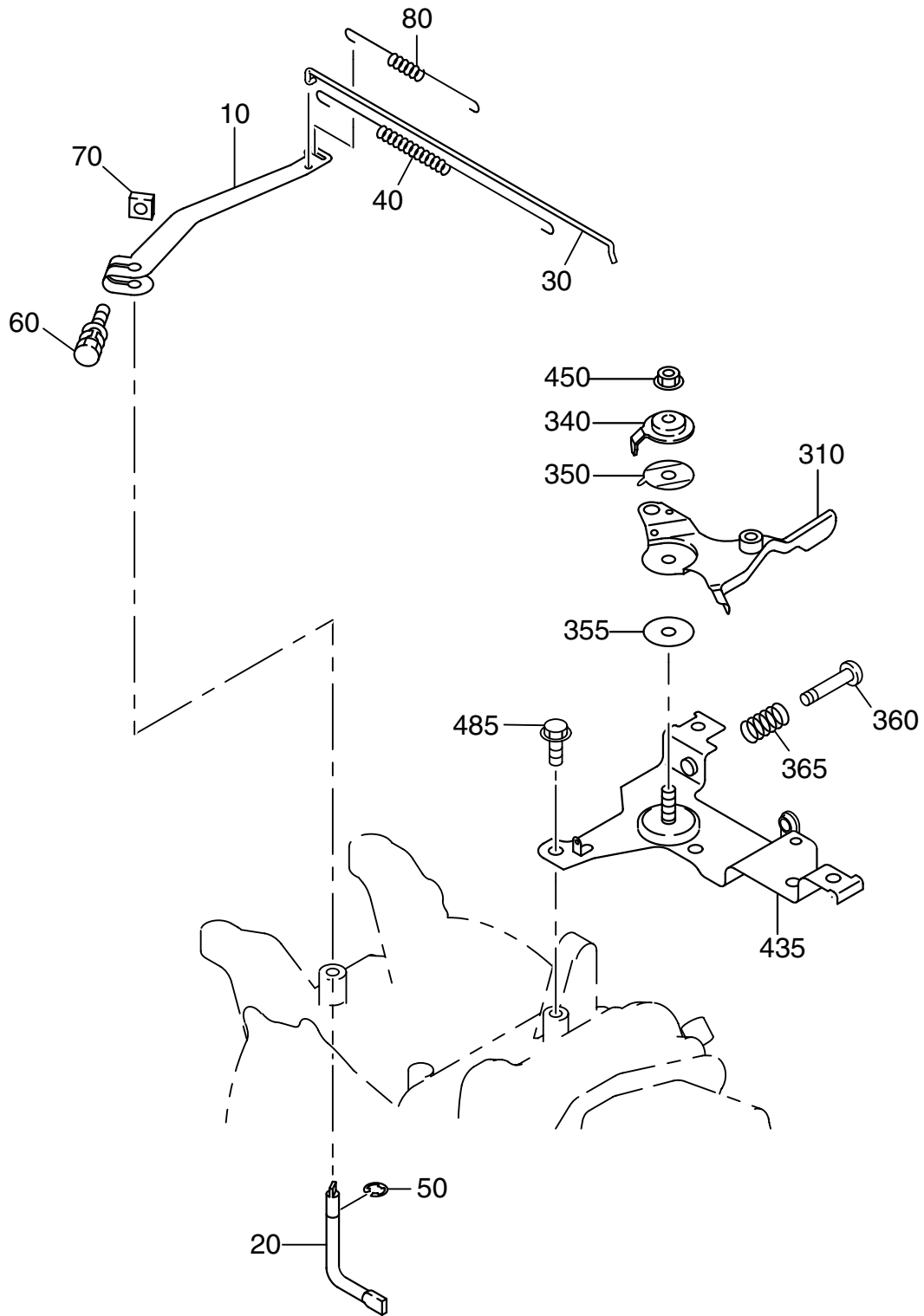




FIG. 500

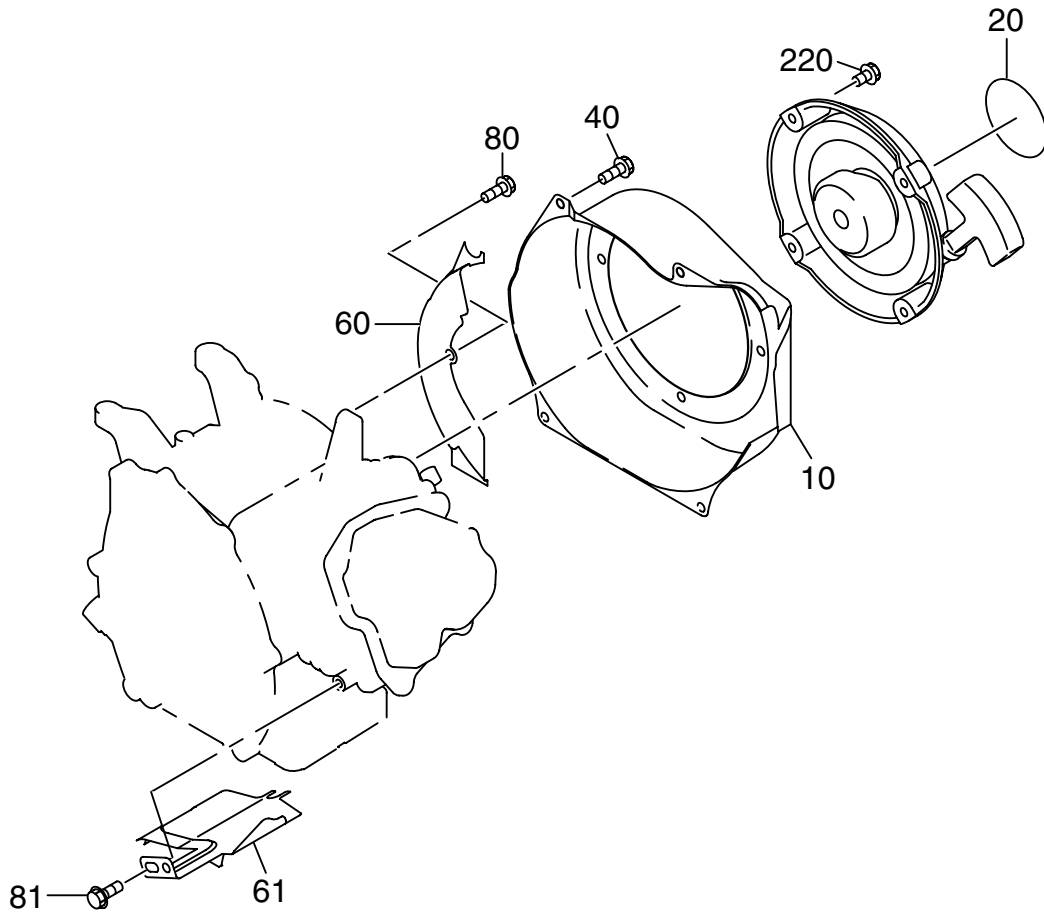


FIG. 520

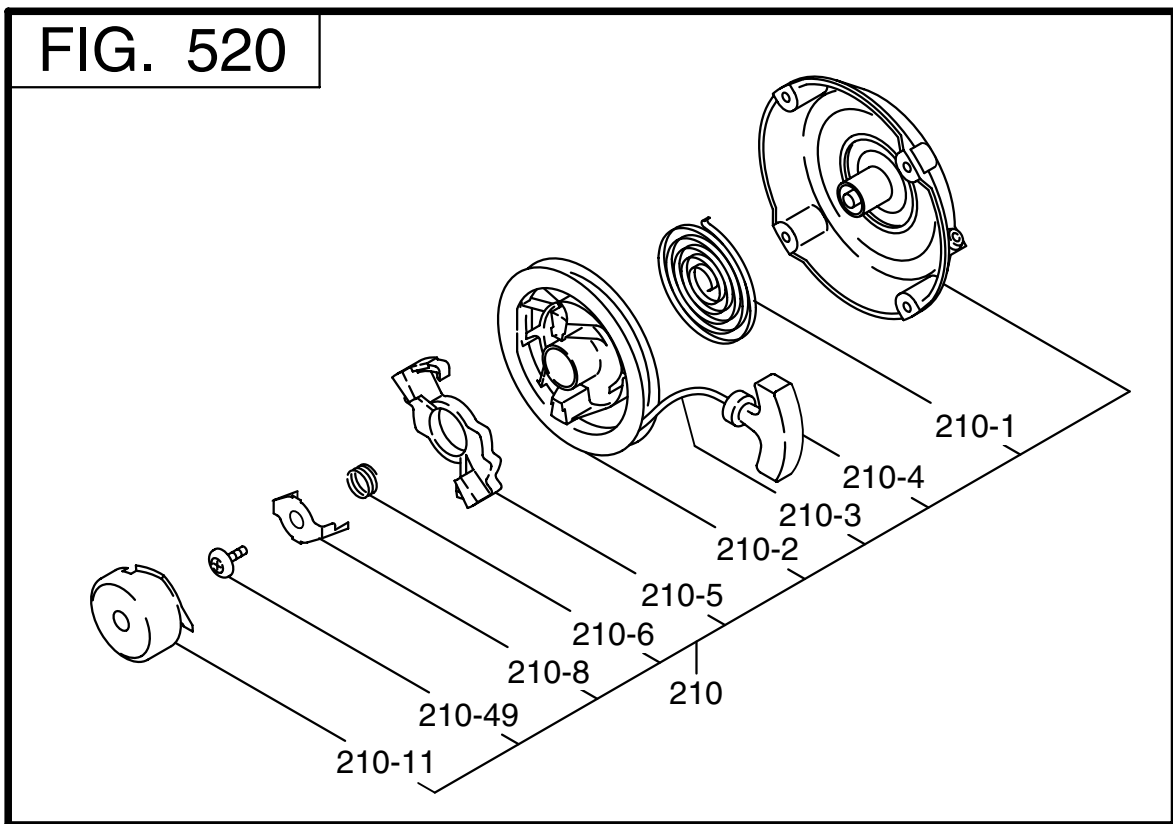






FIG. 600

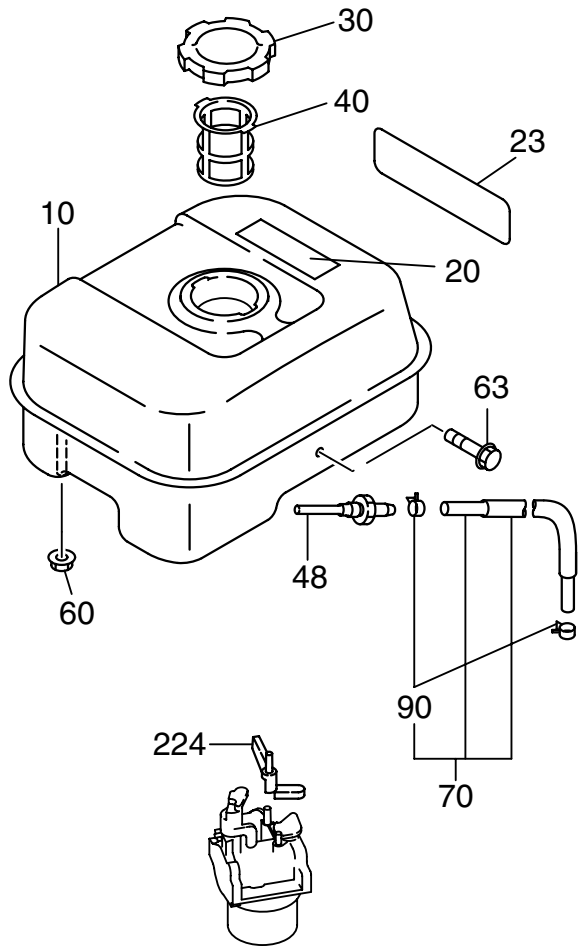
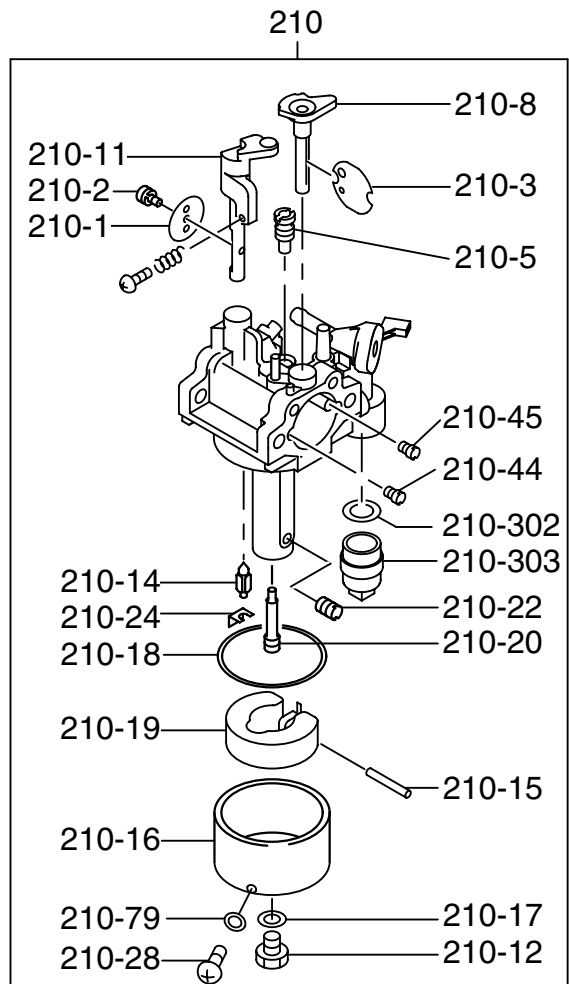


FIG. 640



6 FUEL LUBRICANT

REF. NO.	PART NUMBER		PART NAME		CODE NO. FROM - TO	QTY	REMARKS	INTERCHANGEABLE PART NUMBER	FIG. NO.
		PART NUMBER		SPEC. NO.					
10	276-60101-11		FUEL TANK CP		-	1	2. 7L ROBIN YELLOW		600
20	073-20051-81		LABEL (WARNING)		-	1	42X104 ENGLISH		600
23	276-95111-03		LABEL (MODEL)		-	1	23X87		600
30	043-04400-50		FUEL TANK CAP CP		-	1	43DX68DX14H BLACK		600
40	X64-13600-10		FUEL FILTER		6331-	1			600
	064-13600-10		FUEL FILTER		-6330	1	36DX46DX43H		600
48	050-51200-20		UNION		-	1	M12X4DX78L W/FILTER		600
60	002-38060-00		FLANGE NUT		-	2			600
63	011-00601-30		FLANGE BOLT		-	1	M6X1. 0X14DX25L		600
70	276-62605-K1		FUEL PIPE CP		6270-	1	6DX11DX145L		600
	276-62605-J1		FUEL PIPE CP		-6269	1			600
90	X56-11100-20		HOSE CLAMP		-	2	10. 5DX8BX0. 7T		600
210	276-62301-20		CARBURETOR AY		6301-	1			640
	276-62301-10		CARBURETOR AY		-6300	1			640
- 1	106-62538-08		THROTTLE VALVE		-	1	#200		640
- 2	209-62351-08		SCREW		-	1			640
- 3	277-62525-08		CHOKE VALVE		-	1			640
- 5	246-62420-08		PILOT JET		-	1	#40		640
- 8	277-62520-08		CHOKE LEVER		-	1			640
- 11	276-62530-18		THROTTLE SHAFT-A		-	1			640
- 12	227-62451-08		BOLT		-	1			640
- 14	277-62500-08		NEEDLE		-	1			640
- 15	277-62515-08		PIN		-	1			640
- 16	277-62506-08		FLOAT BODY		-	1			640
- 17	214-62450-08		PACKING		-	1			640
- 18	214-62540-08		CHAMBER PACKING		-	1			640
- 19	226-62506-08		FLOAT AY		-	1			640
- 20	276-62440-08		MAIN NOZZLE		-	1			640
- 22	277-62404-18		MAIN JET		-	1			640
- 24	226-62701-18		CLIP		-	1			640
- 28	277-62360-08		BOLT		-	1			640
- 44	207-62410-08		AIR JET		-	1			640
- 45	106-62410-08		AIR JET (PILOT)		-	1			640
- 79	236-62541-08		PACKING		-	1			640
-302	277-62110-08		PACKING		6301-	1			640
	064-20064-10		PACKING		-6300	1			640





FIG. 700

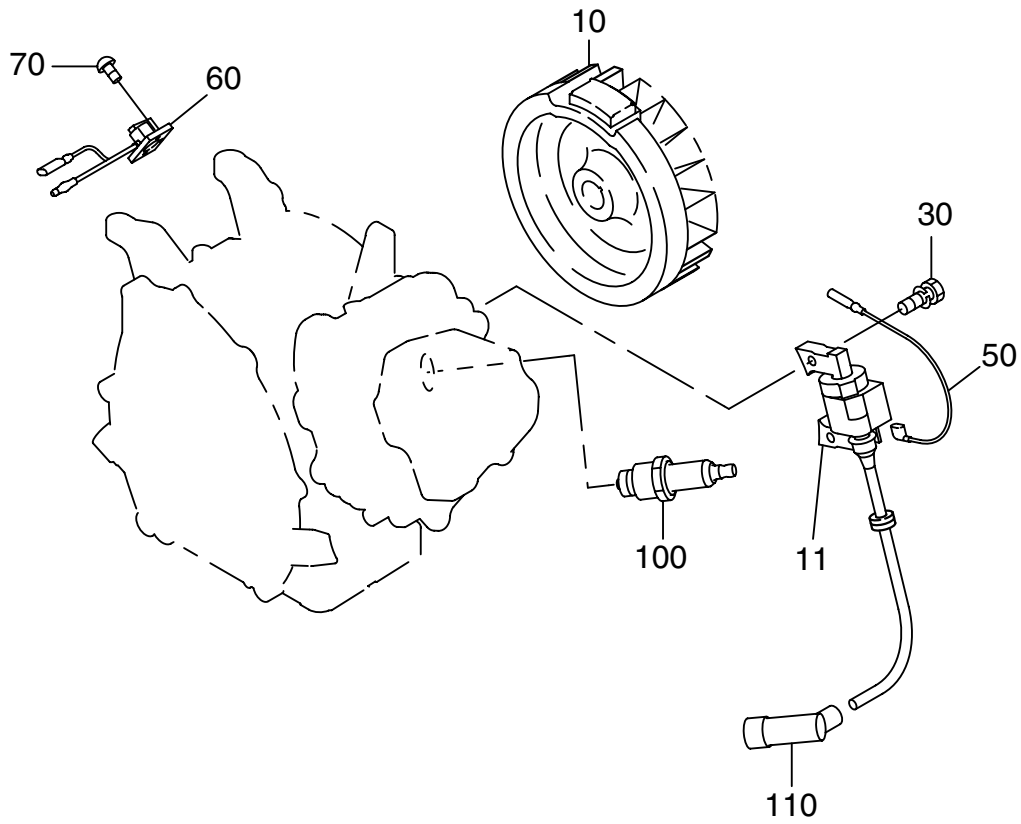


FIG. 770

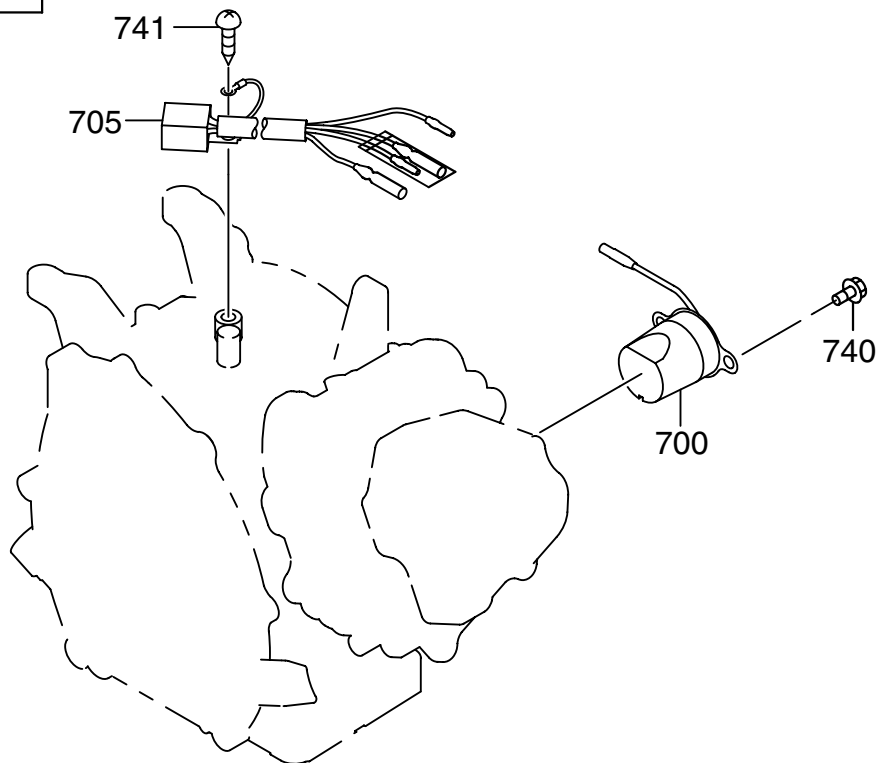




FIG. 900

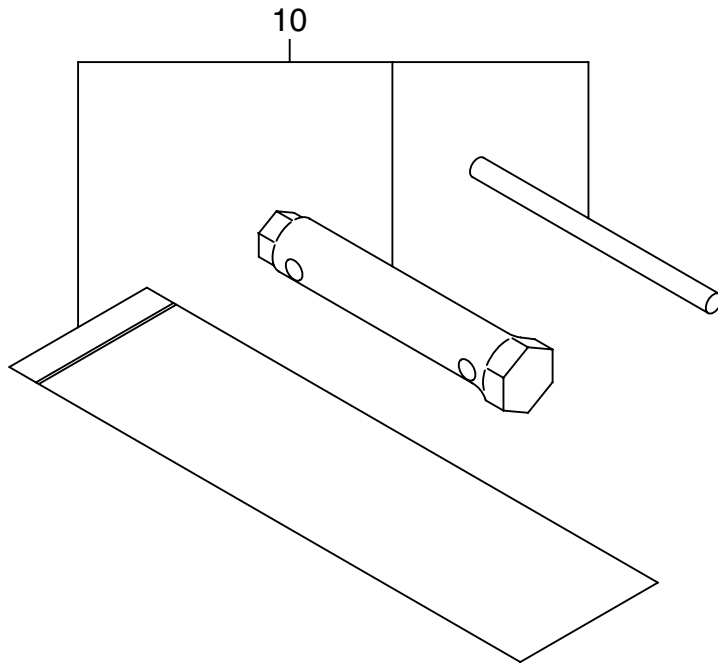
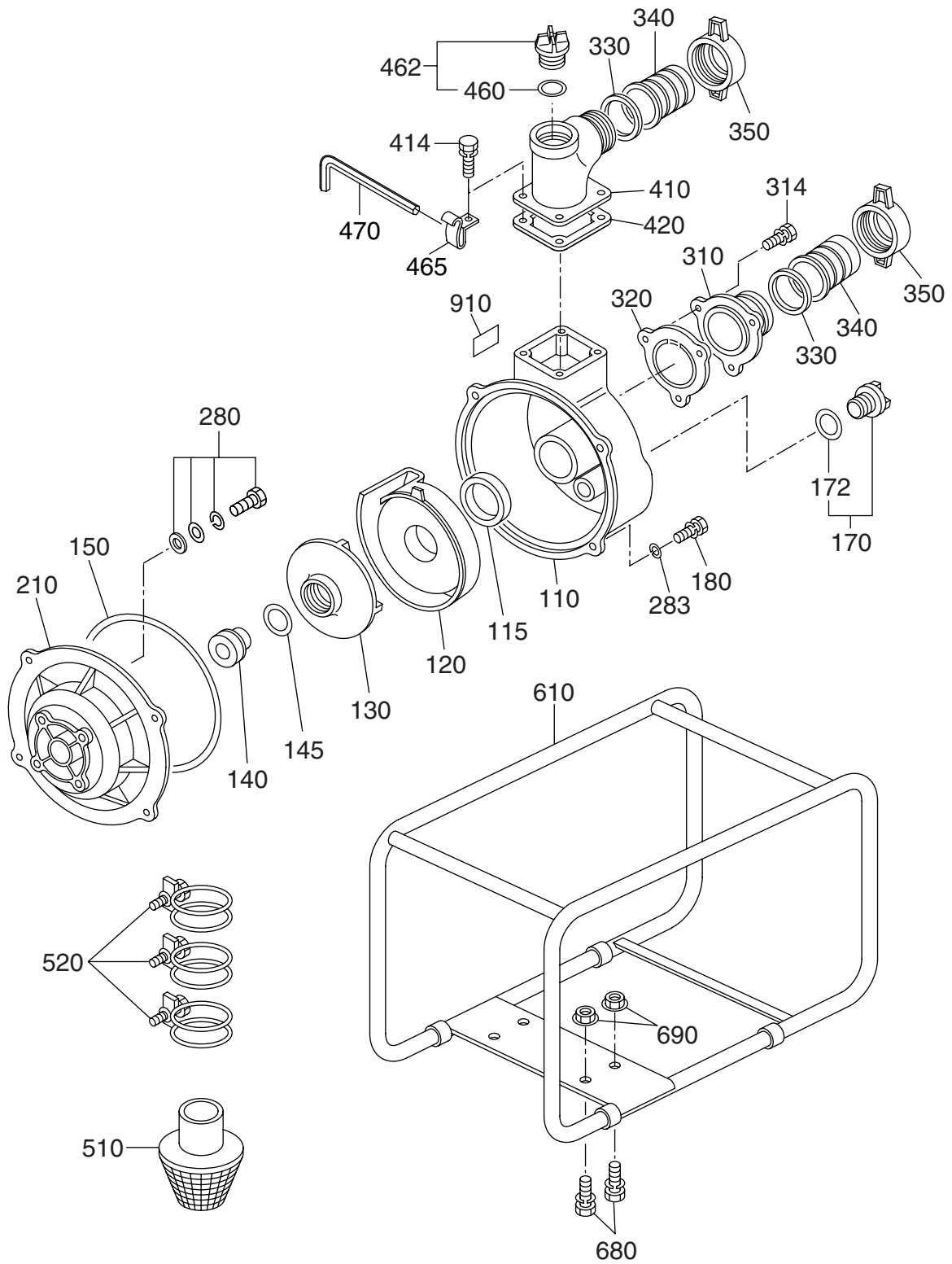






FIG. 4200



EX13

484420203

## 4 2 PUMP

REF. NO.	PART NUMBER		PART NAME		CODE NO. FROM - TO	QTY	REMARKS	INTERCHANGEABLE PART NUMBER	FIG. NO.
		PART NUMBER		SPEC. NO.					
110	480-05010-01		CASING		-	1			4200
115	480-05010-12		PACKING, INNER CASING		-	1			4200
120	480-05710-11		INNER CASING		-	1			4200
130	480-05710-09		IMPELLER		-	1			4200
140	480-05210-08		MECHANICAL SEAL		-	1			4200
145	480-05010-42		SHIM		-	1	T=0.3		4200
146	480-05010-43		SHIM		-	1	T=0.6		4200
150	480-05010-02		O-RING		-	1			4200
170	480-05010-21		PLUG, DRAIN		-	1			4200
172	480-05010-22		O-RING		-	1			4200
180	480-05710-99		SOCKET BOLT		-	4			4200
210	480-05010-04		CASING COVER		-	1			4200
280	480-05010-05		CASING BOLT AY		-	4			4200
283	481-00001-71		SPRING WASHER		-	4			4200
310	480-05010-13		VALVE CASE		-	1			4200
314	480-05010-14		HEX BOLT		-	3			4200
320	480-05010-15		CHECK VALVE		-	1			4200
330	480-05010-17		PACKING, COUPLING		-	2			4200
340	481-00001-14		HOSE COUPLING (ABS)		-	2			4200
350	481-00001-15		COUPLING HANDLE (ABS)		-	2			4200
410	480-05010-19		BEND		-	1			4200
414	480-05010-14		HEX BOLT		-	4			4200
420	480-05010-20		PACKING, BEND		-	1			4200
460	480-05010-21		PLUG, DRAIN		-	1			4200
462	480-05010-22		O-RING		-	1			4200
465	480-05710-21		HOOK		-	1			4200
470	480-05710-92		HEX SOCKET SCREW		-	1			4200
510	480-05750-29		STRAINER (ABS)		-	1			4200
520	480-05010-28		HOSE BAND		-	1			4200
610	481-00001-49		FRAME		-	1			4200
680	480-05010-23		HEX BOLT		-	4			4200
690	480-05010-24		FLANGE NUT		-	4			4200
910	484-00004-03		LABEL (PUMP NAME)		-	1			4200
	484-00017-03		PTX201S0010		-	1			4200

PART NUMBER INDEX LIST

PART NUMBER	PART NAME	FIG.	REF.	PART NUMBER	PART NAME	FIG.	REF.
KU3-11043-11	FLOAT C/U CP3	770	705	064-13600-10	FUEL FILTER	600	40
X56-11100-20	HOSE CLAMP	600	90	064-20064-10	PACKING	640	210 -302
X64-13600-10	FUEL FILTER	600	40	064-20078-10	CUP	640	210 -303
X66-00003-61	SWITCH AY	700	60	065-01401-50	SPARK PLUG	700	100
001-04061-60	FLANGE BOLT	500	80	065-50002-70	SPARK PLUG CAP	700	110
001-04083-50	FLANGE BOLT	100	300	073-20051-81	LABEL (WARNING)	600	20
001-04083-50	FLANGE BOLT	100	631	073-20054-70	LABEL (TRADE MARK)	500	20
001-14061-60	BOLT AND WASHER AY	770	740	106-62410-08	AIR JET (PILOT)	640	210 - 45
001-14062-50	BOLT AND WASHER AY	700	30	106-62538-08	THROTTLE VALVE	640	210 - 1
002-35060-00	SELF LOCK NUT	400	450	132-10KA0-31	COLLET-VALVE	300	95
002-38060-00	FLANGE NUT	300	570	207-62410-08	AIR JET	640	210 - 44
002-38060-00	FLANGE NUT	600	60	209-62351-08	SCREW	640	210 - 2
003-13050-00	CLIP	300	202	214-62450-08	PACKING	640	210 - 17
003-13050-00	CLIP	400	50	214-62540-08	CHAMBER PACKING	640	210 - 18
004-31062-50	SCREW	400	360	215-25004-03	CLIP	200	380
010-50603-51	STUD	100	70	226-50716-08	SPIRAL SPRING	520	210 - 1
010-50802-50	STUD	100	60	226-62506-08	FLOAT AY	640	210 - 19
011-00600-10	FLANGE BOLT	300	361	226-62701-18	CLIP	640	210 - 24
011-00600-20	FLANGE BOLT	100	710	227-62451-08	BOLT	640	210 - 12
011-00600-20	FLANGE BOLT	300	290	236-62541-08	PACKING	640	210 - 79
011-00600-20	FLANGE BOLT	400	485	237-14202-03	VALVE GUIDE	100	20
011-00600-20	FLANGE BOLT	500	81	237-45004-23	SPRING (ADJUST)	400	365
011-00600-30	FLANGE BOLT	500	40	246-62420-08	PILOT JET	640	210 - 5
011-00600-50	FLANGE BOLT	300	580	269-33701-03	SPRING RETAINER	300	70
011-00601-30	FLANGE BOLT	600	63	276-10101-41	CRANK CASE CP	100	10
011-00801-50	FLANGE BOLT	300	365	276-10102-41	CRANK CASE CP	100	10
011-00802-40	FLANGE BOLT	100	630	276-13001-11	CYLINDER HEAD CP	100	610
011-00803-10	FLANGE BOLT	100	631	276-15001-23	GASKET (HEAD)	100	620
011-00803-20	FLANGE BOLT	300	365	276-15001-33	GASKET (HEAD)	100	620
013-00602-40	BOLT AND WASHER AY	400	60	276-20301-21	CRANK SHAFT CP	200	10
013-00602-80	BOLT AND WASHER AY	500	220	276-22501-10	CONNECTING ROD AY	200	310
014-90500-20	ADJUST SCREW	300	230	276-22502-00	CONNECTING ROD AY	200	311
014-90500-20	ADJUST SCREW	300	231	276-23301-03	PISTON PIN	200	350
015-00400-60	TAPPING SCREW	300	387	276-23301-13	PISTON PIN	200	350
015-00400-90	TAPPING SCREW	700	70	276-23401-H3	PISTON	200	360
015-20500-10	TAPPING SCREW	770	741	276-23401-03	PISTON	200	360
015-20600-90	TAPPING BOLT	300	360	276-23403-H3	PISTON	200	361
017-00500-30	NUT	300	240	276-23403-03	PISTON	200	361
017-00500-30	NUT	300	241	276-23404-H3	PISTON	200	362
018-01400-20	FLANGE NUT	200	50	276-23404-03	PISTON	200	362
018-60600-20	NUT	400	70	276-23511-17	PISTON RING SET	200	370
020-00601-70	WASHER	400	350	276-23512-17	PISTON RING SET	200	371
021-11400-20	GASKET	100	90	276-23513-17	PISTON RING SET	200	372
021-31600-20	GASKET	100	280	276-30101-H1	MUFFLER CP	300	310
021-31600-20	GASKET	100	281	276-30101-21	MUFFLER CP	300	310
021-70600-70	FRICTION WASHER	400	355	276-33401-H3	INTAKE VALVE	300	80
024-00600-10	O RING	300	27	276-33401-33	INTAKE VALVE	300	80
032-30300-10	WOODRUFF KEY	200	70	276-33501-H3	EXHAUST VALVE	300	90
040-11400-30	PLUG	100	80	276-33501-33	EXHAUST VALVE	300	90
043-04400-50	FUEL TANK CAP CP	600	30	276-34201-01	MUFFLER COVER CP	300	320
044-00600-20	OIL SEAL	100	75	276-35601-11	TIMING CHAIN CP	300	150
044-02502-00	OIL SEAL	100	30	276-50145-08	STARTER PULLEY	520	210 - 11
044-02502-10	OIL SEAL	100	220	276-50301-00	RECOIL STARTER AY	520	210
050-51200-20	UNION	600	48	276-51201-11	BLOWER HOUSING CP	500	10
060-02501-40	BALL BEARING	100	230	276-60101-11	FUEL TANK CP	600	10
060-02800-21	BALL BEARING	100	40	276-62301-10	CARBURETOR AY	640	210

PART NUMBER INDEX LIST

PART NUMBER	PART NAME	FIG. REF.	PART NUMBER	PART NAME	FIG. REF.
276-62301-20	CARBURETOR AY	640 210	277-43501-03	STOP PLATE	400 340
276-62440-08	MAIN NOZZLE	640 210 - 20	277-43502-03	STOP PLATE	400 340
276-62530-18	THROTTLE SHAFT-A	640 210 - 11	277-43801-01	CHOKE LEVER CP	600 224
276-62605-J1	FUEL PIPE CP	600 70	277-44501-03	WASHER	400 350
276-62605-K1	FUEL PIPE CP	600 70	277-45004-H1	GOVERNOR GEAR CP	100 250
276-79230-11	FLYWHEEL CP	700 10	277-46002-02	SPEED CONT. BRKT UN	400 435
276-95111-03	LABEL(MODEL)	600 23	277-50110-08	STARTER ROPE	520 210 - 3
276-99001-27	GASKET SET	100 960	277-50121-08	REEL	520 210 - 2
277-11001-31	MAIN BEARING COVER C	100 210	277-52702-03	BAFFLE 2(HEAD)	500 61
277-15011-03	PIPE KNOCK	100 50	277-52711-11	BAFFLE 1(CASE) CP	500 60
277-15011-03	PIPE KNOCK	100 700	277-52711-21	BAFFLE 1(CASE) CP	500 60
277-15501-01	ROCKER COVER CP	100 680	277-62100-08	CUP	640 210 -303
277-15503-01	ROCKER COVER CP	100 680	277-62110-08	PACKING	640 210 -302
277-16001-03	GASKET(ROCKER COVER)	100 690	277-62360-08	BOLT	640 210 - 28
277-16001-13	GASKET(ROCKER COVER)	100 690	277-62404-18	MAIN JET	640 210 - 22
277-16010-01	STEM SEAL	100 26	277-62500-08	NEEDLE	640 210 - 14
277-23001-03	CONNECTING ROD BOLT	200 320	277-62506-08	FLOAT BODY	640 210 - 16
277-31601-11	CAM SHAFT CP	300 10	277-62515-08	PIN	640 210 - 15
277-31601-31	CAM SHAFT CP	300 10	277-62520-08	CHOKE LEVER	640 210 - 8
277-32601-08	BASE CP	315 510 -200	277-62525-08	CHOKE VALVE	640 210 - 3
277-32602-08	COVER CP	315 510 -250	277-63601-13	OIL GAUGE	100 270
277-32603-08	ELEMENT	315 520	277-65001-03	FILLER PLUG	100 275
277-32604-08	PACKING	315 510 -220	277-73101-H1	WIRE 1 CP	700 50
277-32609-08	LABEL	315 510 -260	277-73102-H1	WIRE 2 CP	700 50
277-32611-10	AIR CLEANER AY	315 510	277-76301-11	OIL SENSOR CP	770 700
277-32760-08	BREATHER PIPE	300 850	277-79431-01	IGNITION COIL CP	700 11
277-32902-H1	INSULATOR CP	300 540	277-90301-H0	ACCESSORY TOOL KIT	900 10
277-32902-J1	INSULATOR CP	300 540	279-33601-03	VALVE SPRING	300 60
277-35002-01	PIN(ROCKER) CP	300 200	279-42502-43	GOVERNOR SPRING	400 80
277-35101-03	PIN(CAM SHAFT)	300 25	279-42701-01	GOVERNOR ROD CP	400 30
277-35201-13	GASKET(MUFFLER)	300 340	279-42701-11	GOVERNOR ROD CP	400 30
277-35902-H3	GASKET1(INSULATOR)	300 560	281-50300-08	STARTER KNOB	520 210 - 4
277-35902-J3	GASKET1(INSULATOR)	300 560	281-50325-08	RATCHET	520 210 - 5
277-35903-H3	GASKET2(INSULATOR)	300 550	281-50330-08	FRICTION SPRING	520 210 - 6
277-35903-J3	GASKET2(INSULATOR)	300 550	281-50340-08	FRICTION PLATE	520 210 - 8
277-36201-00	ROCKER ARM(IN) AY	300 220	281-50351-08	CENTER SCREW	520 210 - 49
277-36202-00	ROCKER ARM(EX) AY	300 225	980-20082-80	FLANGE NUT	300 350
277-36401-03	RELEASE LEVER	300 35			
277-36501-03	CLIP	300 37			
277-36902-03	PIN(TENTIONER)	300 166			
277-36911-03	TENTIONER	300 160			
277-36913-13	CHAIN GUIDE	300 170			
277-37101-03	SPRING(TENTIONER)	300 163			
277-37203-H1	SCREEN CP	300 385			
277-37203-01	SCREEN CP	300 385			
277-38601-03	PIN(SPRING)	300 34			
277-38702-03	RETURN SPRING	300 38			
277-41901-03	GOVERNOR SLEEVE	100 260			
277-42201-33	GOVERNOR SHAFT	400 20			
277-42301-13	GOVERNOR LEVER	400 10			
277-42301-23	GOVERNOR LEVER	400 10			
277-42510-03	GOVERNOR SPRING	400 80			
277-42510-13	GOVERNOR SPRING	400 80			
277-42801-13	ROD SPRING	400 40			
277-42801-23	ROD SPRING	400 40			
277-43303-03	SPEED CONTROL LEVER	400 310			

PART NUMBER INDEX LIST

PART NUMBER	PART NAME	FIG. REF.	PART NUMBER	PART NAME	FIG. REF.
480-05010-01	CASING	4200 110			
480-05010-02	O-RING	4200 150			
480-05010-04	CASING COVER	4200 210			
480-05010-05	CASING BOLT AY	4200 280			
480-05010-12	PACKING, INNER CASING	4200 115			
480-05010-13	VALVE CASE	4200 310			
480-05010-14	HEX BOLT	4200 314			
480-05010-14	HEX BOLT	4200 414			
480-05010-15	CHECK VALVE	4200 320			
480-05010-17	PACKING, COUPLING	4200 330			
480-05010-19	BEND	4200 410			
480-05010-20	PACKING, BEND	4200 420			
480-05010-21	PLUG, DRAIN	4200 170			
480-05010-21	PLUG, DRAIN	4200 460			
480-05010-22	O-RING	4200 172			
480-05010-22	O-RING	4200 462			
480-05010-23	HEX BOLT	4200 680			
480-05010-24	FLANGE NUT	4200 690			
480-05010-28	HOSE BAND	4200 520			
480-05010-42	SHIM	4200 145			
480-05010-43	SHIM	4200 146			
480-05210-08	MECHANICAL SEAL	4200 140			
480-05710-09	IMPELLER	4200 130			
480-05710-11	INNER CASING	4200 120			
480-05710-21	HOOK	4200 465			
480-05710-92	HEX SOCKET SCREW	4200 470			
480-05710-99	SOCKET BOLT	4200 180			
480-05750-29	STRAINER (ABS)	4200 510			
481-00001-14	HOSE COUPLING (ABS)	4200 340			
481-00001-15	COUPLING HANDLE (ABS)	4200 350			
481-00001-49	FRAME	4200 610			
481-00001-71	SPRING WASHER	4200 283			
484-00004-03	LABEL (PUMP NAME)	4200 910			
484-00017-03	LABEL (PUMP NAME)	4200 910			

# **FUJI HEAVY INDUSTRIES LTD.**

## **INDUSTRIAL PRODUCTS COMPANY**

4-410 Asahi, Kitamoto-shi,  
Saitama, 364-8511, Japan

Phone           +81(48)593-7896

Fax               +81(48)593-7965

Web site        <http://www.fhi.co.jp/robin/>